

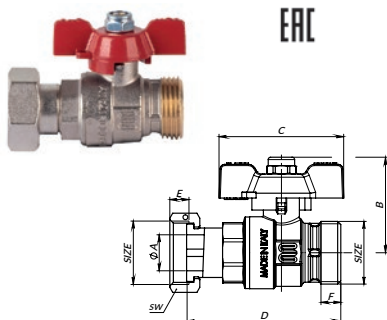
# VALVOLE a SFERA per CALDAIA

## BALL VALVE for HEATER

FILETTATURA ISO 228  
END CONNECTIONS ISO 228



### R1124

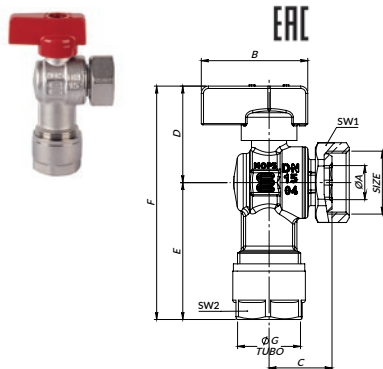


Temperatura: - 20°C/+130°C  
Temperature: - 20°C/+130°C

| CODICE CODE | MISURA SIZE | PN Bar | øA | B  | C  | D     | E    | F    | SW | Box Crt |
|-------------|-------------|--------|----|----|----|-------|------|------|----|---------|
| R1124N19    | ¾" (DN15)   | 50     | 25 | 39 | 52 | 66,25 | 8    | 8,2  | 30 | 15/75   |
| R1124N21    | 1" (DN 20)  | 50     | 20 | 48 | 65 | 77,75 | 9,7  | 10,8 | 37 | 10/50   |
| R1124N23    | 1 ¼" (DN25) | 50     | 15 | 52 | 65 | 95    | 11,2 | 14,4 | 46 | 6/24    |

Valvola maschio/girello con farfalla rossa.  
Ball valve male/nut with red t-handle.

### R1023

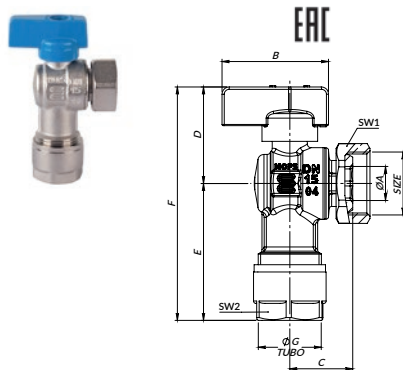


Temperatura: - 20°C/+90°C -20° solo con glicole in % max del 30%  
Temperature: - 20°C/+90°C-20° only with glycol in % max 30%

| CODICE CODE | MISURA SIZE        | PN Bar | øA   | B  | C  | D  | E    | F    | G  | SW1-2 | Box Crt |
|-------------|--------------------|--------|------|----|----|----|------|------|----|-------|---------|
| R1023N67    | ½ x ø16x2 (DN12,5) | 10     | 15   | 44 | 26 | 39 | 54,5 | 93,5 | 16 | 25-24 | 20/80   |
| R1023N70    | ¾" x ø 20x2 (DN15) | 10     | 12,5 | 44 | 26 | 40 | 56,5 | 96,5 | 20 | 30-27 | 10/50   |

Valvola a sfera a squadra girello/raccordo multistrato levetta rossa.  
Angle ball valve nut/multilayer connection with red lever.

### R1023



Temperatura: - 20°C/+90°C -20° solo con glicole in % max del 30%  
Temperature: - 20°C/+90°C-20° only with glycol in % max 30%

| CODICE CODE | MISURA SIZE        | PN Bar | øA   | B  | C  | D  | E    | F    | G  | SW1-2 | Box Crt |
|-------------|--------------------|--------|------|----|----|----|------|------|----|-------|---------|
| R1024N67    | ½ x ø16x2 (DN12,5) | 10     | 15   | 44 | 26 | 39 | 54,5 | 93,5 | 16 | 25-24 | 20/80   |
| R1024N70    | ¾" x ø 20x2 (DN15) | 10     | 12,5 | 44 | 26 | 40 | 56,5 | 96,5 | 20 | 30-27 | 10/50   |

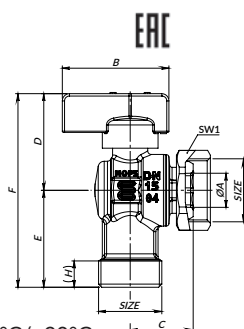
Valvola a sfera a squadra girello/raccordo multistrato levetta blu.  
Angle ball valve nut/multilayer connection with blue lever.

# VALVOLE a SFERA per CALDAIA

BALL VALVE FOR HEATER

FILETTATURA ISO 228  
END CONNECTIONS ISO 228

## R0245

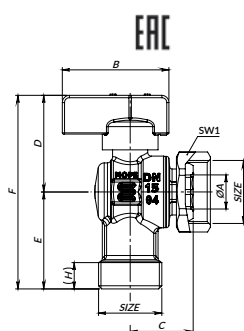


Temperatura: - 20°C/+90°C  
Temperature: - 20°C/+90°C

| CODICE CODE | MISURA SIZE   | PN Bar | øA   | B  | D  | E    | F  | H    | I  | SW1 | Box Crt |
|-------------|---------------|--------|------|----|----|------|----|------|----|-----|---------|
| R0245N05    | 3/4" (DN15)   | 16     | 15   | 44 | 39 | 54,5 | 40 | 10,5 | 26 | 25  | 10/50   |
| R0245N04    | 1/2" (DN12,5) | 16     | 12,5 | 44 | 40 | 56,5 | 40 | 12   | 26 | 30  | 10/50   |

Valvola a sfera a squadra attacco eurocono levetta rossa  
Angle ball valve euroconus connection with red lever

## R0246



Temperatura: - 20°C/+90°C  
Temperature: - 20°C/+90°C

| CODICE CODE | MISURA SIZE   | PN Bar | øA   | B  | D  | E    | F  | H    | I  | SW1 | Box Crt |
|-------------|---------------|--------|------|----|----|------|----|------|----|-----|---------|
| R0246N05    | 3/4" (DN15)   | 16     | 15   | 44 | 39 | 54,5 | 40 | 10,5 | 26 | 25  | 10/50   |
| R0246N04    | 1/2" (DN12,5) | 16     | 12,5 | 44 | 40 | 56,5 | 40 | 12   | 26 | 30  | 10/50   |

Valvola a sfera a squadra attacco eurocono levetta blu  
Angle ball valve euroconus connection with blue lever

## R0247

**NEW**

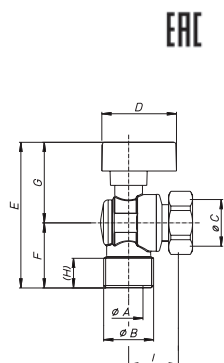


Temperatura: - 20°C/+90°C -20° solo con glicole in % max del 30%  
Temperature: - 20°C/+90°C -20° only with glycol in % max 30%  
Per R0245-R0246-R1023-R1024 / For R0245-R0246-R1023-R1024

| CODICE CODE | MISURA SIZE     | PN Bar | Box Crt |
|-------------|-----------------|--------|---------|
| R0247N67    | 1/2" x ø 16 x 2 | 10     | 5/50    |
| R0247N70    | 3/4" x ø 20 x 2 | 10     | 5/50    |

Raccordo tubo multistrato (Tenuta O-Ring).  
Multilayer connection

## G0386 BON GAS



Temperatura: - 20°C/+90°C  
Temperature: - 20°C/+90°C

| CODICE CODE | MISURA SIZE   | PN Bar | øA   | øB   | øC   | D  | E    | F  | G    | H    | I  | Box Crt |
|-------------|---------------|--------|------|------|------|----|------|----|------|------|----|---------|
| G0386N04    | 1/2" (DN12,5) | 16     | 12,5 | 1/2" | 1/2" | 44 | 68,5 | 30 | 38,5 | 12   | 26 | 20/160  |
| G0386N37    | 3/4" (DN15)   | 16     | 15   | 3/4" | 3/4" | 4  | 74   | 34 | 40   | 14,5 | 26 | 20/160  |

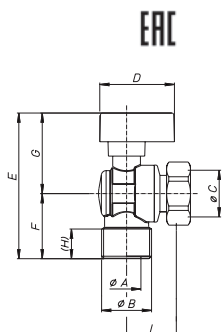
Valvola a sfera per gas combustibili a squadra, maschio/girello con levetta in alluminio plastificata gialla, nichelata.  
Angle ball cock for fuel gas, male/nut with yellow plastic coated aluminium lever, nickel-plated.

# VALVOLE a SFERA per CALDAIA

BALL VALVE FOR HEATER

FILETTATURA ISO 228  
END CONNECTIONS ISO 228

## G0387



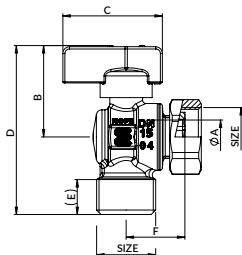
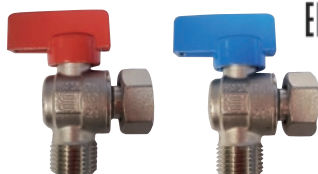
ERC

| CODICE<br>CODE | MISURA<br>SIZE | PN<br>Bar | øA   | øB | øC | D  | E    | F  | G    | H    | I  | Box<br>Crt |
|----------------|----------------|-----------|------|----|----|----|------|----|------|------|----|------------|
| G0387N04       | ½" (DN12,5)    | 16        | 12,5 | ½" | ½" | 44 | 68,5 | 30 | 38,5 | 12   | 26 | 20/160     |
| G0387N05       | ¾" (DN15)      | 16        | 15   | ¾" | ¾" | 4  | 74   | 34 | 40   | 14,5 | 26 | 20/160     |

Valvola a sfera per acqua, maschio/girello con levetta in alluminio plastificata nera.  
Angle ball cock for water, male/nut with black plastic coated aluminium lever.

Temperatura: - 20°C/+90°C  
Temperature: - 20°C/+90°C

## R3322



ERC

| CODICE<br>CODE | MISURA<br>SIZE | LEVA<br>LEVER | PN<br>Bar | øA   | B    | C  | D    | E    | F  | SW1 | Box<br>Crt |
|----------------|----------------|---------------|-----------|------|------|----|------|------|----|-----|------------|
| R3322N04       | ½" (DN12,5)    | ROSSA / Red   | 16        | 12,5 | 38,5 | 44 | 68,5 | 12   | 26 | 25  | 20/100     |
| R3322N05       | ¾" (DN15)      | ROSSA / Red   | 16        | 15   | 40   | 44 | 74   | 15,5 | 26 | 30  | 20/80      |
| R3322B04       | ½" (DN12,5)    | BLU / Blue    | 16        | 12,5 | 38,5 | 44 | 68,5 | 12   | 26 | 25  | 20/100     |
| R3322B05       | ¾" (DN15)      | BLU / Blue    | 16        | 15   | 40   | 44 | 74   | 15,5 | 26 | 30  | 20/80      |

Valvola a sfera per acqua, maschio/girello con levetta in alluminio plastificata rossa o blu.  
Angle ball cock for water, male/nut with red or blu plastic coated aluminium lever.



# KIT per CALDAIA

## KIT for HEATER



KIT FLESSIBILI PER CALDAIA  
KIT OF FLEXIBLE HOSES FOR HEATER

### R3300



ERC

| CODICE<br>CODE | MISURA<br>SIZE | PN<br>Bar | Box<br>Crt |
|----------------|----------------|-----------|------------|
| R3300G24       | 220x420        | -         | 1/8        |

Flessibili gas e acqua per il collegamento caldaia 3/4", estensibili 220-420 completo di guarnizioni.  
Flexible hoses for gas and water connection to heater, 3/4"x220-420 mm together with gaskets.

### R3301



ERC

| CODICE<br>CODE | MISURA<br>SIZE | PN<br>Bar | Box<br>Crt |
|----------------|----------------|-----------|------------|
| R3301G21       | 130x220        | -         | 1/8        |

Flessibili gas e acqua per il collegamento caldaia 3/4", estensibili 130-220 completo di guarnizioni.  
Flexible hoses for gas and water connection to heater, 3/4"x130-220 mm together with gaskets.

### R3300



ERC

| CODICE<br>CODE | MISURA<br>SIZE | PN<br>Bar | Box<br>Crt |
|----------------|----------------|-----------|------------|
| R3300B24       | 220x420        | -         | 1/8        |

Flessibili gas e acqua con **guaina bianca** per il collegamento caldaia 3/4", estensibili 220-420 completo di guarnizioni.  
Flexible hoses for gas and water with white plastic coat connection to heater, 3/4"x220-240 mm together with gaskets.

